



FG21805

12Volt 18Ah

Specifications

Nominal Voltage(V) 12V

Nominal Capacity

20 hour rate	(0.9A	to	10.50V)	18Ah
10 hour rate	(1.71A	to	10.50V)	17.1Ah
5 hour rate	(3.06A	to	10.20V)	15.3Ah
1 C	(18A	to	9.60V)	10.2Ah
3 C	(54A	to	9.60V)	7.2Ah

Weight Approx. 6.3kg(13.86Lbs.)

Internal Resistance (at 1KHz) Approx. 10 mΩ

Maximum Discharge Current for 5 seconds: 270A

Charging Methods at 25 (77 )

Cycle use:

Charging Voltage	14.4 to 15.0V
Coefficient	-5.0mv/ /cell
Maximum Charging Current :	5.4A

Standby use:

Float Charging Voltage	13.5 to 13.8V
Coefficient	-3.0mv/ /cell

Operating Temperature Range

Charge	-15 (5 )	to	40 (104 )
Discharge	-15 (5 )	to	50 (122 )
Storage	-15 (5 )	to	40 (104 )

Charge Retention (shelf life) at 20 (68 )

1 month	92%
3 month	90%
6 month	80%

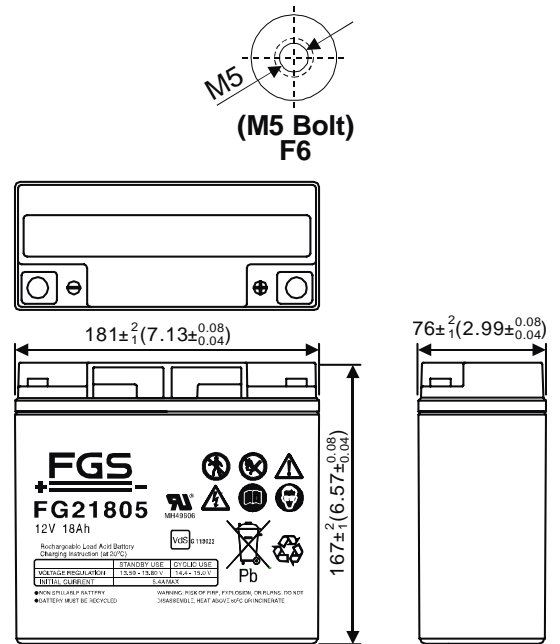
Case Material ABS (UL94 HB flame retardant )

Terminal F6

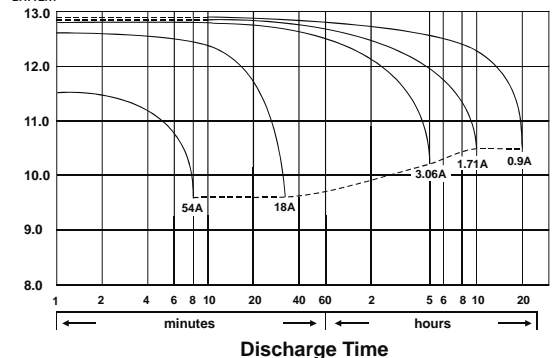
Description of torque value of hard ware for the terminals:  
 Recommended torque value M5: 2.94 N-m (30kg-cm)  
 Maximum allowable torque value M5: 4.90 N-m (50kg-cm)



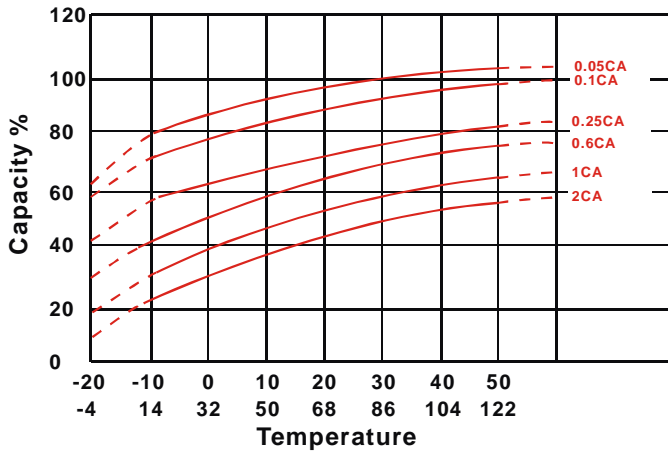
Dimensions mm(inch)



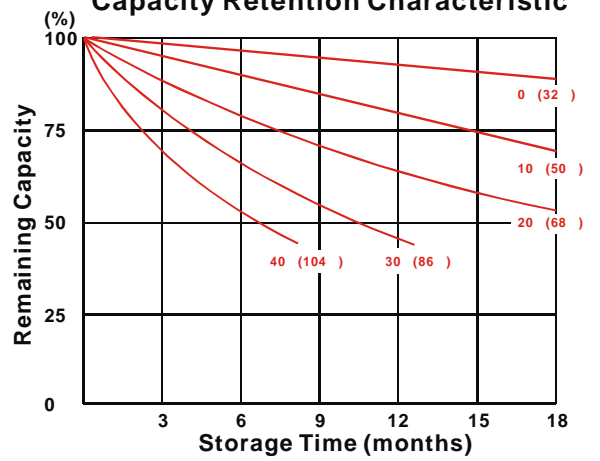
Discharge Time VS. Discharge Current (25 )



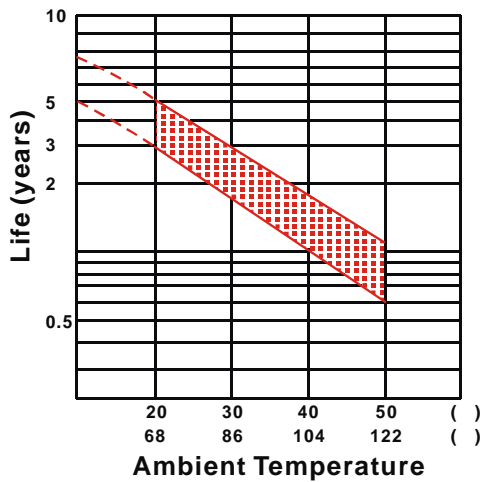
**Effect of Temperature on Capacity 25 (77 °)**



**Capacity Retention Characteristic**



**Trickle (or float) Service Life**



**Cycle Service Life**

