

Nominal Voltage _____ 12 volts

Amp hour capacity at 20 hour rate _____ 80 amp hour

Reserve Capacity at 25 amp discharge rate _____ 149 minutes

Reserve Capacity at 15 amp discharge rate _____ 259 minutes

Reserve Capacity at 8 amp discharge rate _____ 524 minutes

Dimensions (inches) _____ Length=11.13. *, Width= 6.60, Height= 9.25*

Dimensions (mm) _____ Length=282, Width=167, Height=235

Weight _____ 56 pounds / 25.5 kilograms

Recommended charge voltage _____ Bulk Charge 14.2 – 14.6 volts

_____ Absorption/Acceptance Charge 14.2 - 14.6 volts

_____ Float Charge 13.1 to 13.4 volts

Recommended Charge Amperage _____ Up to 100% of the rated amp hour capacity

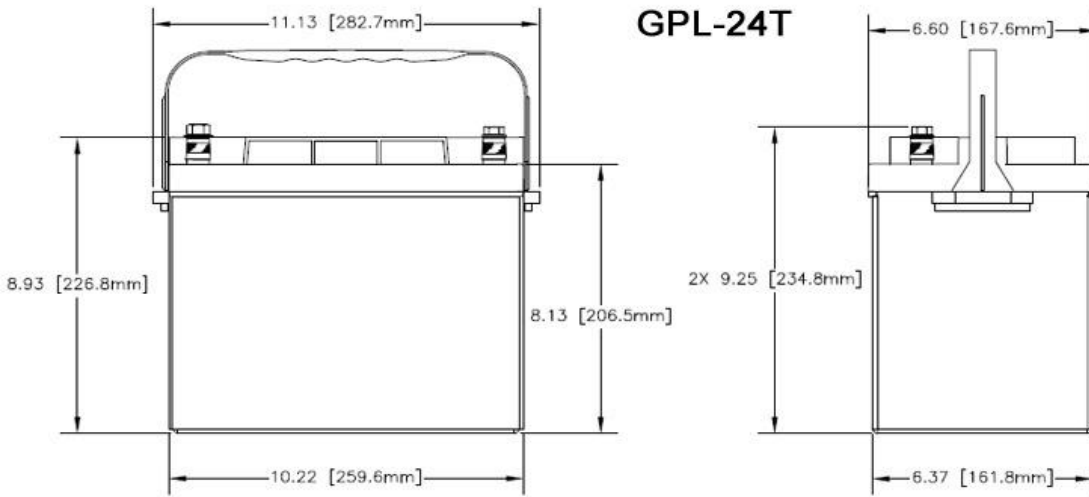
Self Discharge Rate _____ 2% per month at 77°F (25°C)

Operating Temperature _____ -50° to 150° F (-45 to 65.5 C)

Cycle life _____ 1,100 cycles to 50% DOD, 500 cycles to 100% DOD

Warranty _____ Refer to manual for warranty information by application





* All dimensions are overall. This will include handles and terminals. Actual case size may be smaller than published.

