

Nominal Voltage \_\_\_\_\_ 12 volts

Amp hour capacity at 20 hour rate \_\_\_\_\_ 100 amp hour

Cranking amps at 68°F (20°C) \_\_\_\_\_ 1120 amps

Cranking amps at 32°F (0°C) \_\_\_\_\_ 950 amps

Cranking amps at 0°F (-17°C) \_\_\_\_\_ 810 amps

Dimensions (inches) \_\_\_\_\_ Length=12.90\*, Width= 6.75, Height= 9.27\*

Dimensions (mm) \_\_\_\_\_ Length=328, Width=172, Height=236

Weight \_\_\_\_\_ 67 pounds / 30.4 kilograms

Recommended charge voltage \_\_\_\_\_ Bulk Charge 14.2 – 14.6 volts

\_\_\_\_\_ Absorption/Acceptance Charge 14.2 - 14.6 volts

\_\_\_\_\_ Float Charge 13.1 to 13.4 volts

Recommended Charge Amperage \_\_\_\_\_ Up to 100% of the rated amp hour capacity

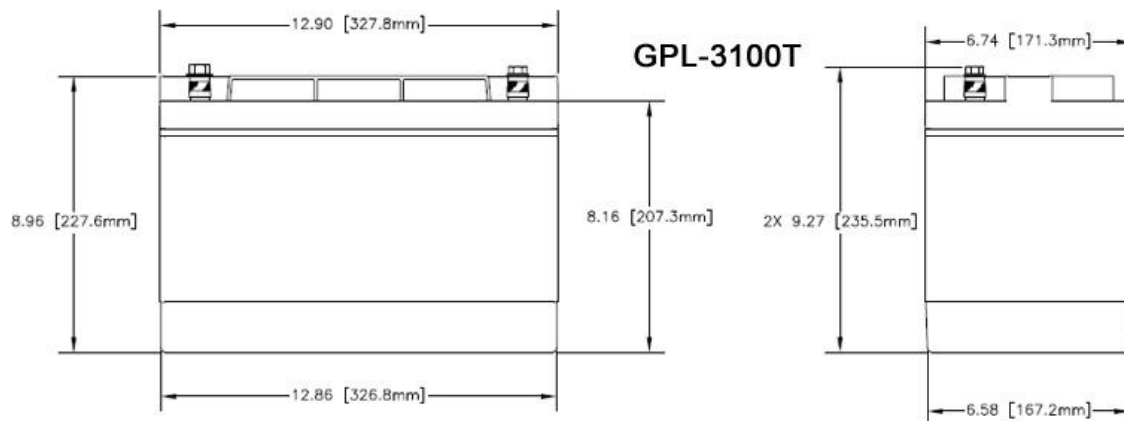
Self Discharge Rate \_\_\_\_\_ 2% per month at 77°F (25°C)

Operating Temperature \_\_\_\_\_ -50° to 150° F (-45 to 65.5 C)

Cycle life \_\_\_\_\_ 1,100 cycles to 50% DOD, 500 cycles to 100% DOD

Warranty \_\_\_\_\_ Refer to manual for warranty information by application





\* All dimensions are overall. This will include handles and terminals. Actual case size may be smaller than published.

