

## 12Volt 40Ah

### Specifications

Nominal Voltage(V) **12V**

#### Nominal Capacity

20 hour rate	(2A	to	10.50V)	40Ah
10 hour rate	(3.8A	to	10.50V)	38Ah
5 hour rate	(6.8A	to	10.20V)	34Ah
1 C	(40A	to	9.60V)	21.33Ah
3 C	(120A	to	9.60V)	14Ah

Weight **Approx. 12.6kg(27.7Lbs.)**

Internal Resistance (at 1KHz) **Approx. 8.5 mΩ**

#### Maximum Discharge Current for

5 seconds: **480A**

#### Charging Methods at 25 (77 )

##### Cycle use:

Charging Voltage **14.4 to 15.0V**

Coefficient **-5.0mV/ /cell**

Maximum Charging Current : **12A**

##### Standby use:

Float Charging Voltage **13.5 to 13.8V**

Coefficient **-3.0mV/ /cell**

#### Operating Temperature Range

Charge **-15 (5 ) to 40 (104 )**

Discharge **-15 (5 ) to 50 (122 )**

Storage **-15 (5 ) to 40 (104 )**

#### Charge Retention (shelf life) at 20 (68 )

1 month **92%**

3 month **90%**

6 month **80%**

Case Material **ABS UL94 HB**

Terminal **F8**

#### Description of torque value of hard ware for the terminals:

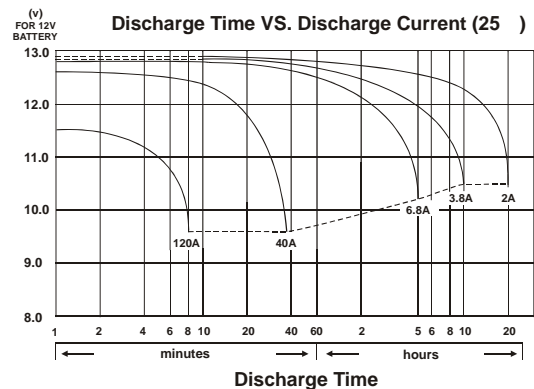
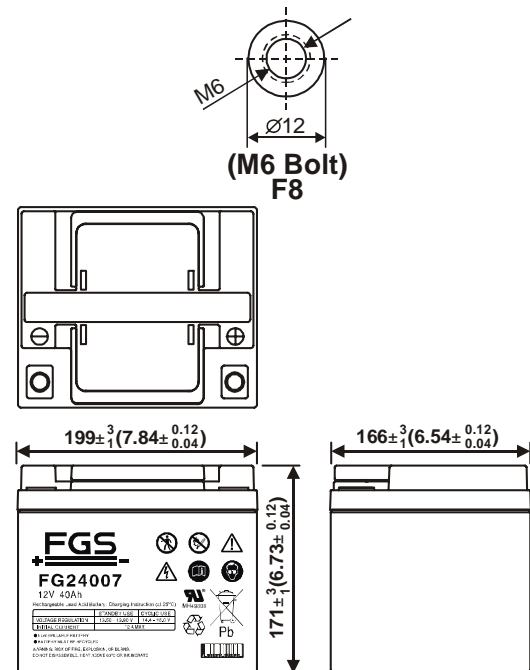
Recommended torque value **M6: 7 N-m (71kgf-cm)**

Maximum allowable torque value **M6: 9 N-m (92kgf-cm)**

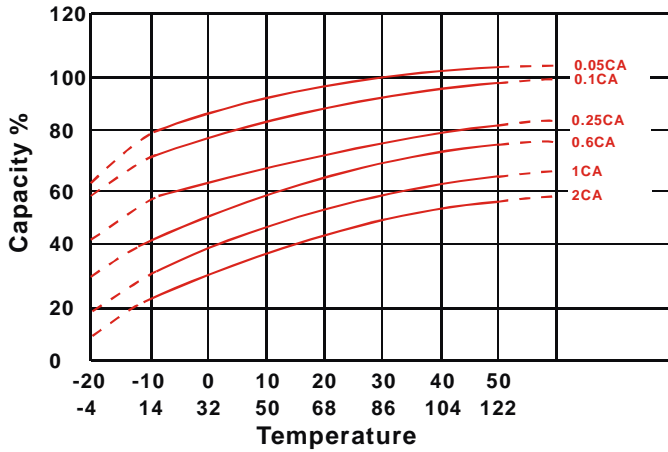


### Dimensions

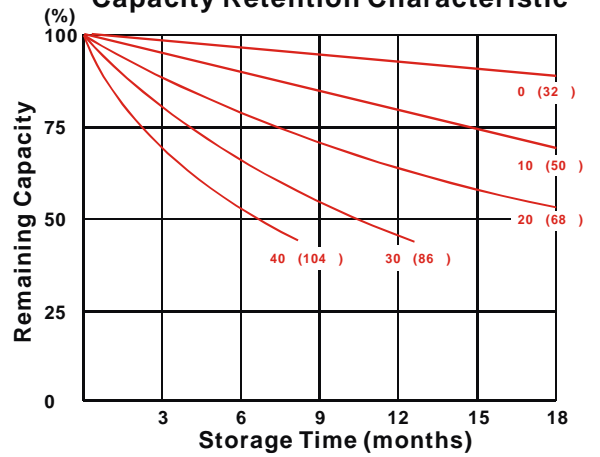
mm(inch)



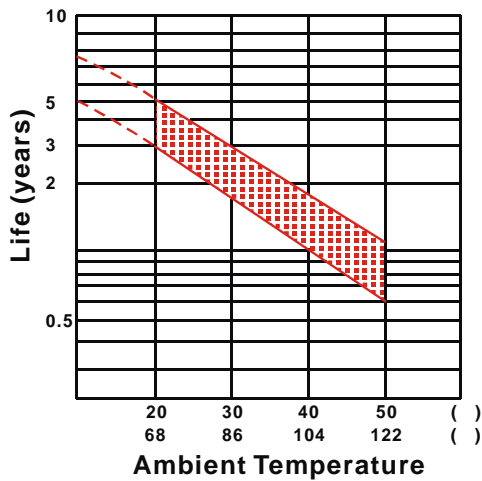
**Effect of Temperature on Capacity 25 (77 )**



**Capacity Retention Characteristic**



**Trickle (or float) Service Life**



**Cycle Service Life**

